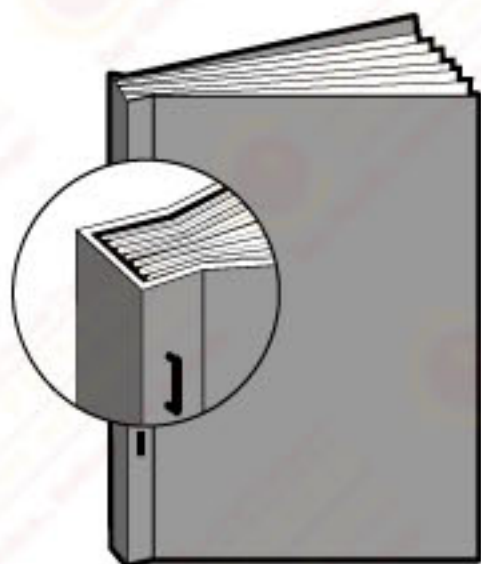
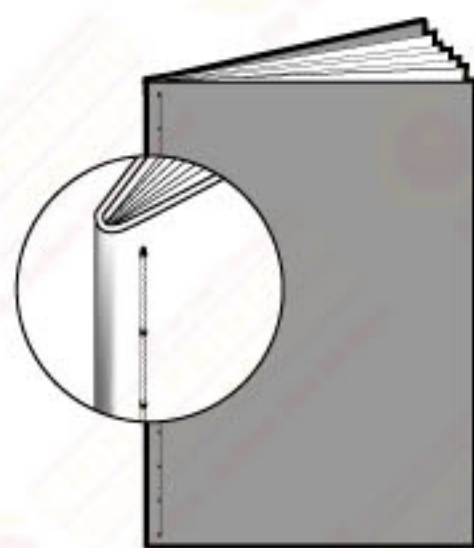


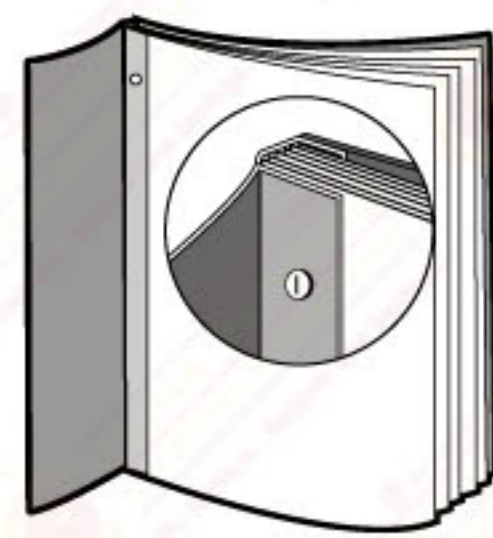
saddle stitch



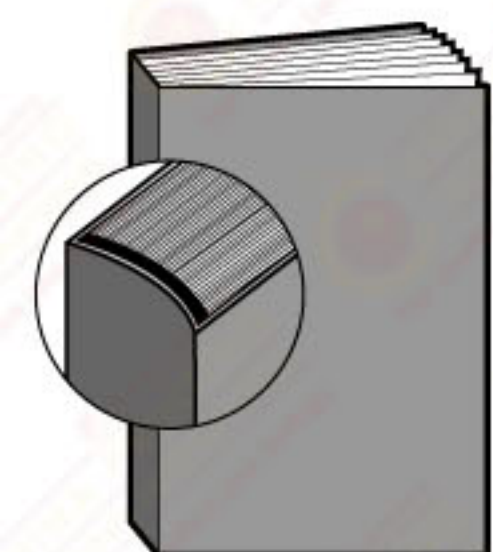
side stitch



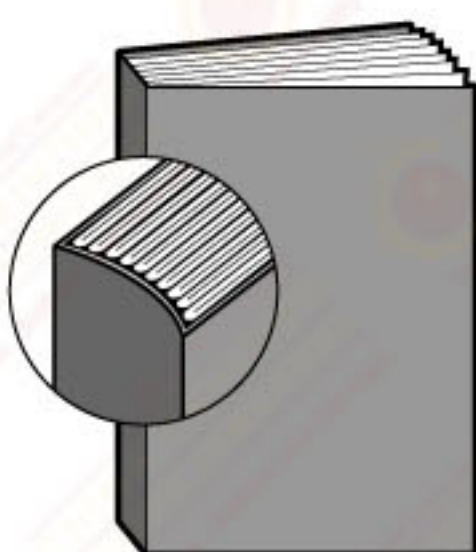
side sewn



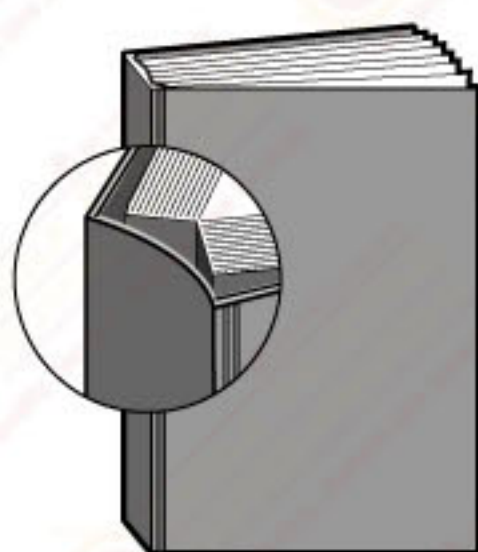
screw and post



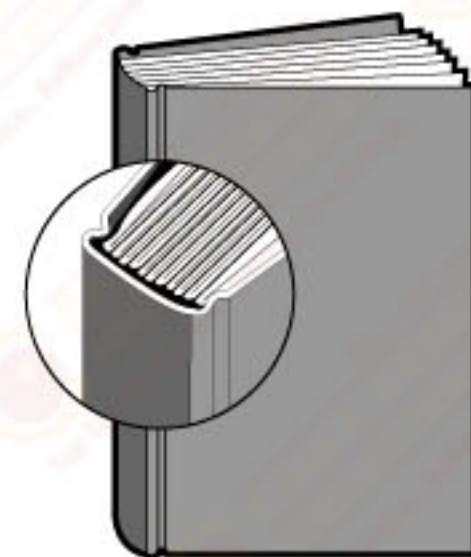
perfect



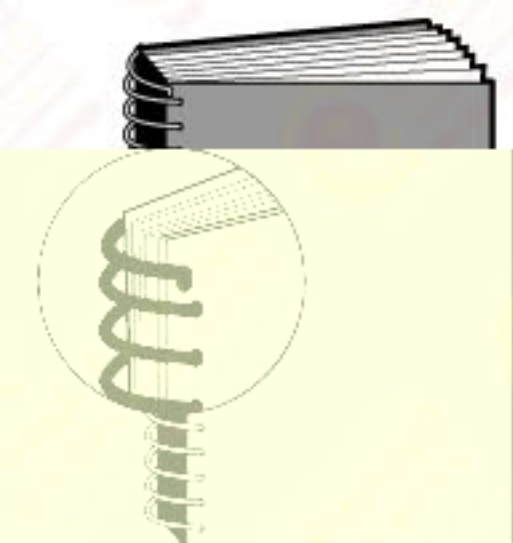
burst perfect



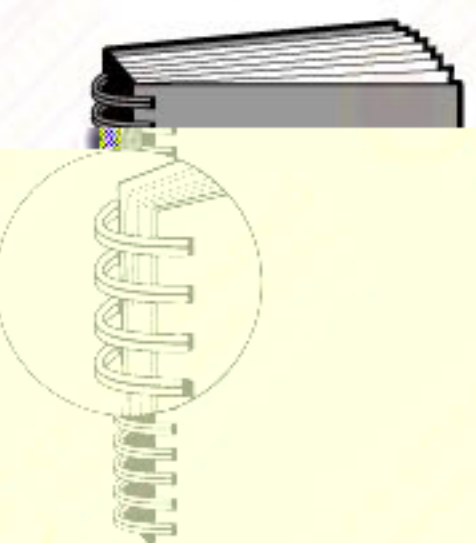
lie flat perfect



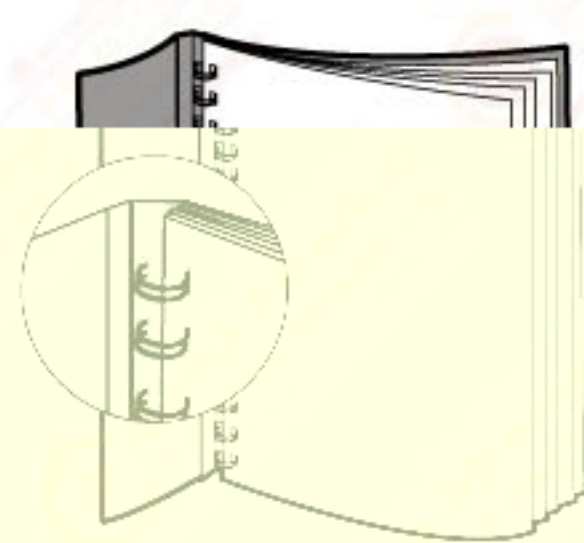
case  
(adhesive and Smythe  
sewn options available)



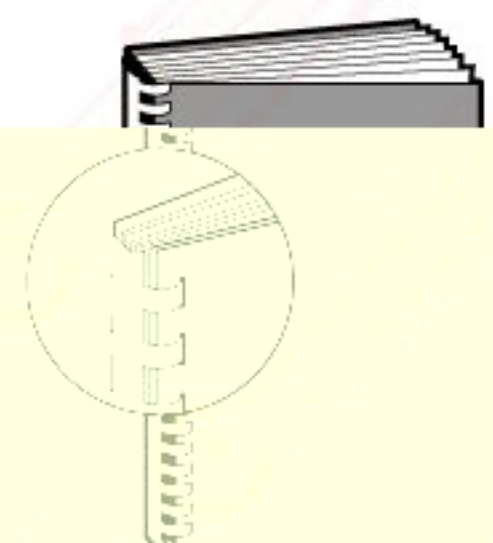
spiral



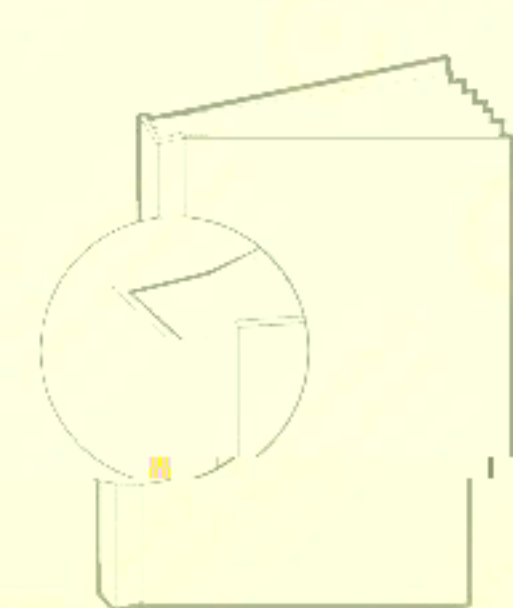
double-loop wire  
(Wire-O)



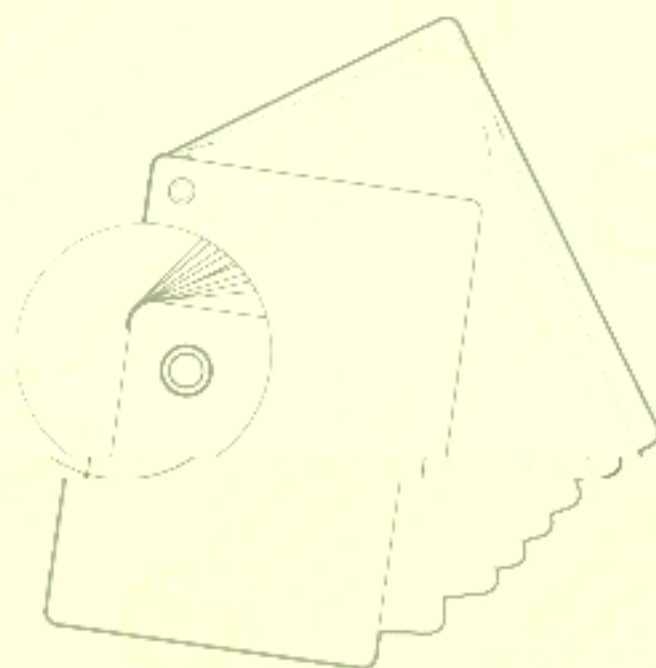
concealed double-loop  
(Wire-O)



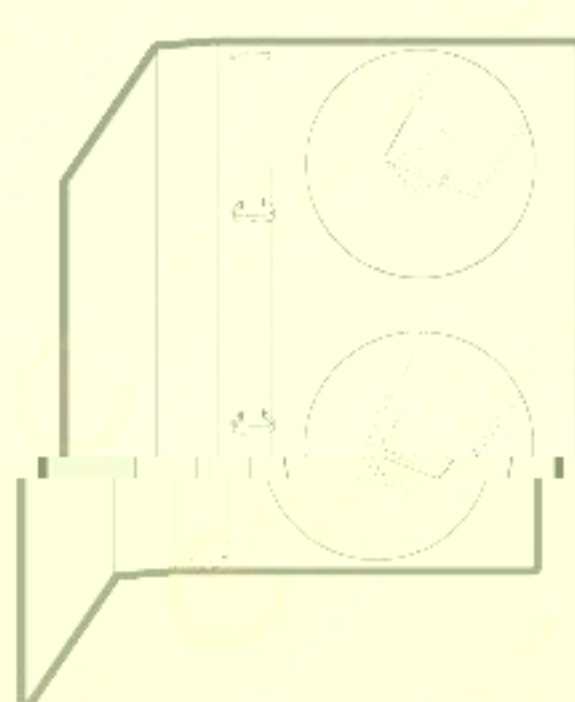
comb



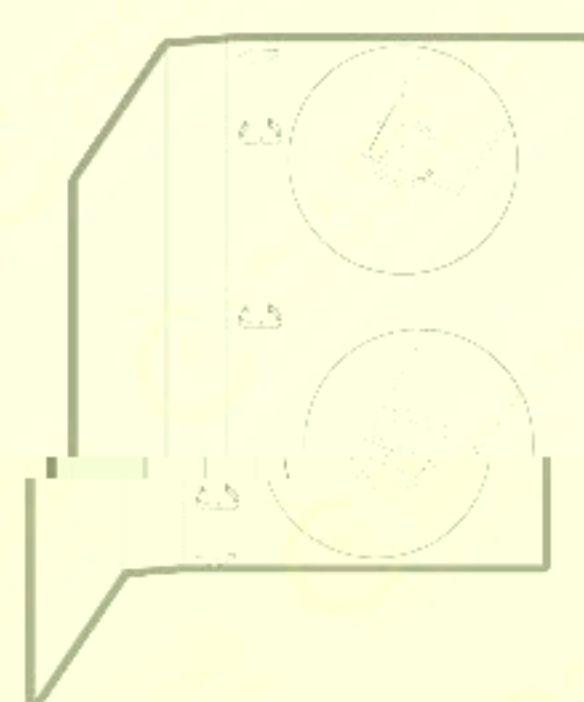
plastic grip



rivet



ring  
Square or Round spine  
with "O" or "D" ring



ring  
Square or Round spine  
with "O" or "D" ring